



# Evolution STARCH OFF ULTRA

## Operation Guide

**NEW**  
PATENTED TECHNOLOGY

A LOT MORE  
BOARD

STRONGER  
BOARD

FLATTER  
BOARD



[www.cleanprint-usa.com](http://www.cleanprint-usa.com)



Before



After

**CLEANED IN UNDER 30 MINUTES**

EVOLUTION STARCH OFF ULTRA

YOUR CORRUGATORS ARE ALWAYS CLEAN. A COMPLETE INTERNAL AND EXTERNAL SOLUTION FOR YOUR PLANT

# Evolution STARCH OFF ULTRA



## INSTALLATION:

1. Install our automated patent pending ESOU delivery system (CleanPrint supervised). Our installation includes a CleanPrint supplied hot water service for **149°F/65°C** temperature control and dilution device to a tap and hose to fill pots and foam gun for daily manual application to external surfaces.
2. For deep system cleaning, manually diluted ESOU from your starch kitchen at the higher temp of **167-185°F/75-85°C** is circulated and recycled through pipes, pumps, tanks, over rolls and glue pots for a minimum of 4 hours weekly. (See notes below)
3. We require a suitable position for ESOU 264 gallon/1000 litre container with easy and safe forklift access.



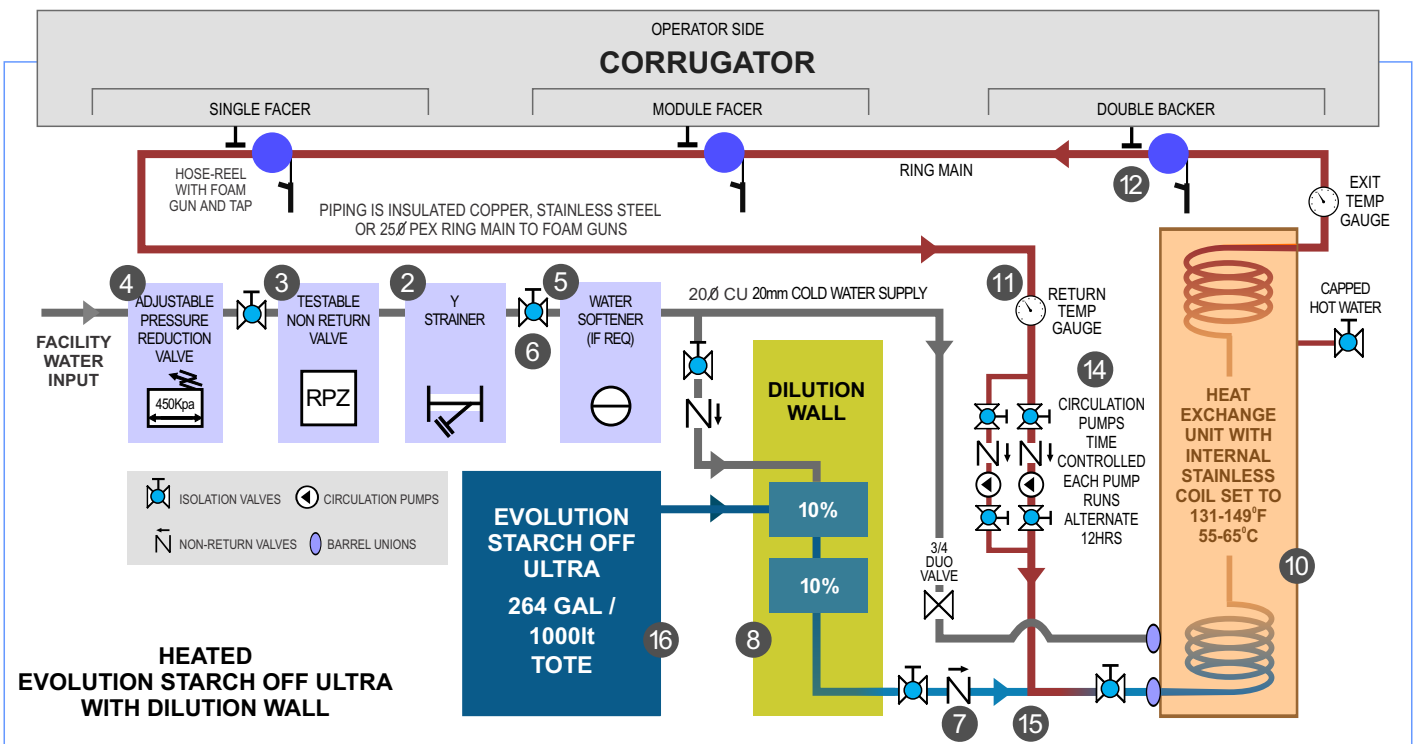
## OPERATING INSTRUCTIONS

1. For daily cleaning, foam ESOU on external equipment diluted to 20% and **heated to 131-149°F/55-65°C** controlled by a hot water system we install in your plant and reapply a few times and **allow to soak** over 30 minutes for a full wash-up. Rinse clean with water.
2. For weekly cleaning, dilute ESOU concentrate with warm water at **167-185°F/75-85°C** heated from your plant's starch kitchen boiler system to make the amount required to circulate through your corrugator. Circulate ESOU through system for a **minimum 4 hours at 167-185°F/75-85°C** at 1:5 (20%) for normal buildup. Circulate for 4-6 hours for heavy buildup. **DO NOT USE DIRECT STEAM INJECTION into the ESOU, it is above the optimal temperature and will destroy the enzymes. If PVC piping is used, temperature must be restricted to 122°F/50°C**
3. Rinse system clean with water through all the equipment and run to waste.



## PRODUCT SUPPLY

EVOLUTION STARCH OFF ULTRA is supplied in 264 gallon/1000 litre bulk containers to be diluted to 1:5 (20%) with water. It can be applied manually or automatically.



# Evolution STARCH OFF ULTRA

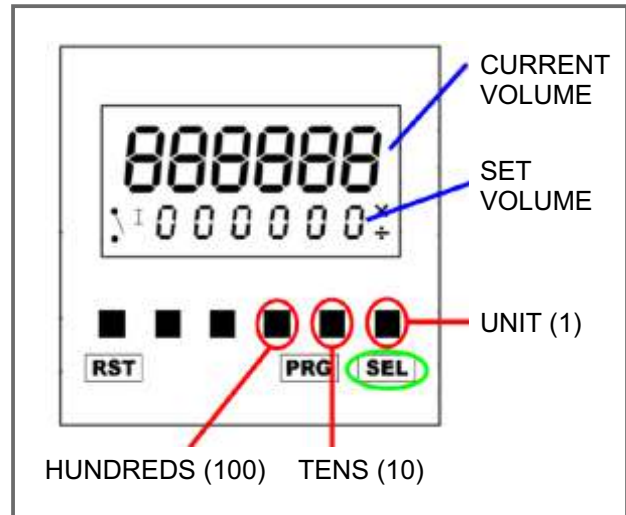


## Batch Controller Instructions

1. Calculate volume of product required in gallons.  
20% of tank water volume is the amount of solution required.  
Thus, divide the volume of your tank by 10, then multiply by 2.

### Example

If water tank volume is 520L/137G  
Then divide 520L/137G by 10 = 52/14  
Then multiply 52/14 by 2 = 104L/28G  
= (20%)



2. Enter amount from step 1.
  - 2.1. Press "SEL" button (Circled in green). Use this button to change the amount of ESOU required. Once initial set up is done this does not need to be changed.
  - 2.2. Use buttons circled in red for units, tens and hundreds.
  - 2.3. Press "SEL" button when done.
3. Press "START" button on front of case
4. Pump will start up.
5. Once volume is reached the pump will stop.

In the case of an incorrect entry, reset the system by turning the power off for 10 sec and turn back on. Note: RST and PRG buttons are not used in this system.

Use emergency stop button if necessary. System will remember the last setting and metered amount for up to 5 min.

**Check numbers entered before starting to ensure correct amount has been set.**

**EVOLUTION STARCH OFF ULTRA is optimised, unique, simple, safe and effective**

**Contact us now for more information and a convincing on-site demonstration**



[www.cleanprint-usa.com](http://www.cleanprint-usa.com)



**CLEANPRINT USA**  
Clean Print USA, LLC  
20944 Corkscrew Shores Blvd  
Estero, FL 33928  
Ph +1 973 220 2828



Go online to  
Evolution Starch Off Ultra